

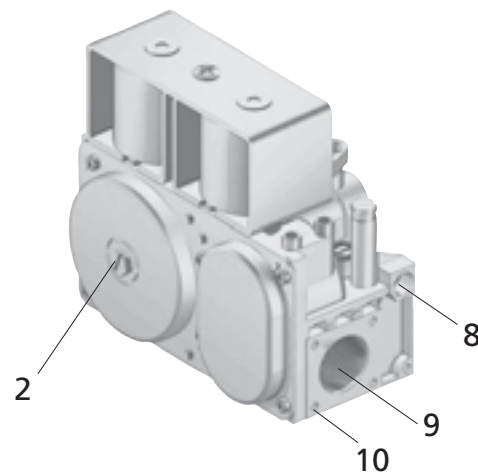
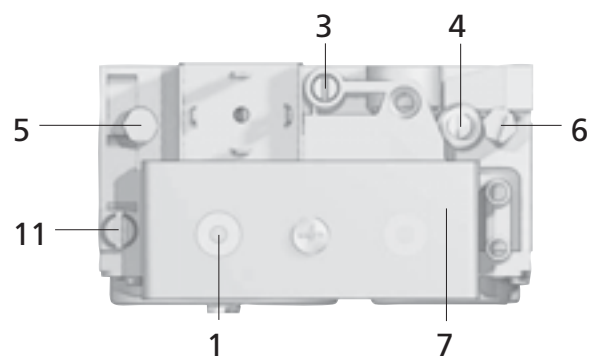
# 830-832 TANDEM

## MAIN FEATURES

- Two near-silent automatic shut-off valves:
  - 830 TANDEM: EV1 + EV2 in class B
  - 832 TANDEM: EV1 + EV2 in class A
- Pressure regulator class C; alternatively, gas flow adjustment device.
- Adjustable flow step ignition device (optional).
- Pilot outlet (optional) with gas flow restrictor.
- Inlet and pilot filters.
- Inlet and outlet pressure test points.
- Threaded gas inlet and outlet with provision for flange connection.
- Connection for pressure regulator/combustion chamber compensation.

## DESCRIPTION

- 1 Shut-off solenoid valve EV1
- 2 Pressure regulator setting device, or alternatively, outlet flow setting screw
- 3 Pilot gas flow restrictor
- 4 Step ignition flow adjustment screw
- 5 Inlet pressure test point
- 6 Outlet pressure test point
- 7 Shut-off solenoid valve EV2
- 8 Pilot outlet
- 9 Main gas outlet
- 10 Holes (M5) for fixing flanges
- 11 Connection for pressure regulator/combustion chamber compensation



## CODES

### 830 TANDEM

Codes	Ambient Temperature range [°C]	EV Electric Supply	EV Class	Pressure regulator range [mbar]	Flow Adjuster	Step Opening	Pilot outlet
0830010	0 to 60	220/240 V - 50 Hz	B		Blind screw	No step opening	Standard screw
0830011	0 to 60	24 V - 50 Hz	B		Blind screw	No step opening	Standard screw
0830012	0 to 60	220/240 V - 50 Hz	B		2x Ø 1.9 drilled screw	No step opening	Standard screw
0830013	0 to 60	220/240 V - 50 Hz	B		Blind screw	No step opening	No pilot outlet
0830014	0 to 60	220/240 V - 50 Hz	B		Blind screw	No step opening	No pilot outlet
0830020	0 to 60	220/240 V - 50 Hz	B		Blind screw	(3÷7") (3÷4mbar)	Standard screw
0830021	0 to 60	24 V - 50 Hz	B		Blind screw	(3÷7") (3÷4mbar)	Standard screw
0830022	0 to 60	220/240 V - 50 Hz	B		Blind screw	(3÷7") (3÷4mbar)	No pilot outlet
0830023	0 to 60	220/240 V - 50 Hz	B		2x Ø 1.5 drilled screw	(3÷7") (1÷2mbar)	Standard screw
0830030	0 to 60	220/240 V - 50 Hz	B	3 50		(3÷7") (3÷4mbar)	Standard screw
0830031	0 to 60	24 V - 50 Hz	B	3 50		(3÷7") (3÷4mbar)	Standard screw
0830032	0 to 60	220/240 V - 50 Hz	B	3 50		for LPG	No pilot outlet
0830033	0 to 60	220/240 V - 50 Hz	B	3 50		(3÷7") (3÷4mbar)	S
0830034	0 to 60	220/240 V - 50 Hz	B	3 50		(3÷7") (3÷4mbar)	No pilot outlet
0830035	0 to 60	220/240 V - 50 Hz	B	5 50		(3÷7") (3÷4mbar) (*)	No pilot outlet
0830036	0 to 60	220/240 V - 50 Hz	B	3 50		(3÷7") (3÷4mbar)	Standard screw sealed
0830037	0 to 60	220/240 V - 50 Hz	B	3 50		No step opening	No pilot outlet
0830039	0 to 60	230/240 V - 50 Hz	A	3 50		(3÷7") (3÷4mbar)	No pilot outlet
0830040	0 to 60	220/240 V - 50 Hz	B	3 50		No step opening	Standard screw
0830041	0 to 60	220/240 V - 50 Hz	B	3 50		No step opening	No pilot outlet
0830042	0 to 60	220/240 V - 50 Hz	B	3 50		No step opening	No pilot outlet
0830043	0 to 60	220/240 V - 50 Hz	B	3 50		(0.5÷2") (0.7÷1.7mbar)	No pilot outlet
0830050	0 to 60	24 V - 50 Hz	B	3 50		No step opening	No pilot outlet
0830051	0 to 60	220 V - 60 Hz	B	3 50		(3÷7") (3÷4mbar)	No pilot outlet
0830052	0 to 60	220/240 V - 50 Hz	B	3 50		(3÷7") (3÷4mbar)	No pilot outlet
0830053	0 to 60	220/240 V - 50 Hz	B	5 50		(3÷7") (3÷4mbar) (*)	No pilot outlet
0830060	0 to 60	220 V - 60 Hz	B	5 50		(3÷7") (3÷4mbar) (*)	Standard screw
0830062	0 to 60	220 V - 60 Hz	B	5 50		(3÷7") (3÷4mbar) (*)	No pilot outlet
0830064	0 to 60	24 V - 50 Hz (Low Energy)	B	3 50		(3÷7") (3÷4mbar)	No pilot outlet
0830065	0 to 60	120 V - 60 Hz			Ø 0.5 hole	(3÷7") (3÷4mbar)	S
0830071	0 to 60	24 V - 60 Hz (Low Energy)	B	5 50		(3÷7") (3÷4mbar) (*)	No pilot outlet
0830072	0 to 60	220 V - 60 Hz	B	5 50		(3÷7") (3÷4mbar) (*)	R
0830073	0 to 60	220 V - 60 Hz	B	3 50		No step opening	No pilot outlet
0830074	0 to 60	24 V - 50 Hz	B	5 50		(3÷7") (3÷4mbar) (*)	R
0830076	0 to 60	220/240 V - 50 Hz	B	5 50		(3÷7") (3÷4mbar) (*)	R
0830080	0 to 60	120 V - 60 Hz	B		Blind screw	(3÷7") (3÷4mbar)	No pilot outlet
0830082	0 to 60	220/240 V - 50 Hz	B	3 50		(3÷7") (3÷4mbar)	Standard screw
0830083	0 to 60	120 V - 60 Hz	B	5 50		(3÷7") (3÷4mbar) (*)	R
0830100	0 to 60	24 V - 50 Hz (Low Energy)	B	3 50		No step opening	T
0830300	0 to 60	220/240 V - 50 Hz		3 50		Bypass	No pilot outlet
0830301	0 to 60	220/240 V - 50 Hz			Blind screw	Bypass	No pilot outlet
0830402	-20 to 60	220/240 V - 50 Hz			Blind screw	No step opening	No pilot outlet
0830602	0 to 60	230 V - 50 Hz	B	3 50		(3÷7") (3÷4mbar)	Standard screw

## CODES

### 832 TANDEM

Codes	Ambient Temperature range [°C]	EV Electric Supply	EV Class	RP version or RQ version	Step-opening	Pilot adjusting screw
0832030	0 to 60	220/240V-50Hz	A	Rp version (with pressure regulator) standard type	Fitted standard Step-opening (3-7")	NO pilot outlet
0832033	0 to 60	220/240V-50Hz	A	Rp version (with pressure regulator) standard type	Fitted standard Step-opening (0.5-2")	NO pilot outlet
0832040	0 to 60	220/240V-50Hz	A	Rp version (with pressure regulator) standard type	No step-opening	NO pilot outlet
0832051	0 to 60	220/240V-50Hz	A	Rp version (with pressure regulator) standard type	No step-opening	Standard screw

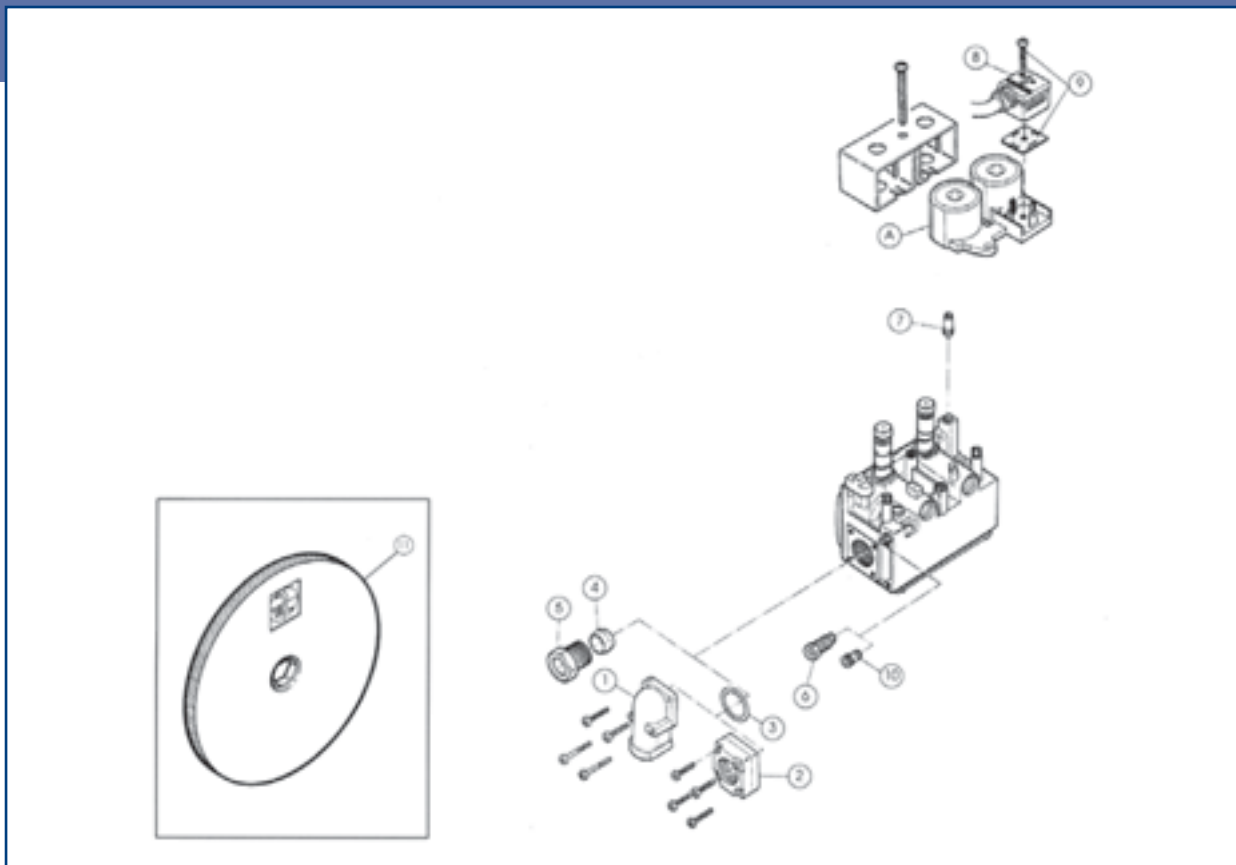
(\*) Fitted step-opening fast recovery

S Standard screw and M10x1 plug (0972041)

R Regulated by main P.R. with standard screw and plug

T Standard screw and special M 11x1 pilot outlet

U Special screw = more friction better axial precision



## SPARE PARTS

N.	Code	Description	Q.ty	N.	Code	Description	Q.ty
A1	0.967.090	220 V, 50 Hz solenoid (black color)	5	A4	0.967.130	240 V, 50 Hz solenoid class A, (green color)	10
A2	0.967.091	24 V, 50 Hz solenoid (grey color)	5	A5	0.967.131	24 V, 50 Hz solenoid class A, (orange color)	10
A3	0.967.129	220 V, 50 Hz solenoid class A, (violet color)	10				

## ACCESSORIES

N.	Code	Description	Q.ty	N.	Code	Description	Q.ty
1	0.906.265	Rp 1/2" elbow flange with O-ring and screws	10	7a	0.958.059	Vent nut connection (ø 6 mm)	10
2	0.906.266	Rp 1/2" straight flange with O-ring and screws	100	7b	0.958.063	Vent nut connection (ø 5 mm)	100
3	0.925.028	O-ring for flange	100	8a	0.960.107	Plug and lead L = 1,000 mm	10
4	0.957.008	ø 16 mm olive	10	8b	0.960.112	Plug and lead L = 260 mm	20
5	0.958.027	ø 16 mm tube nut	10	8c	0.960.114	plug and lead L = 600 mm	20
6a	0.958.030	ø 4 mm pilot tube shear-off	10	9	0.960.108	Gasket and screw	10
6b	0.958.031	ø 6 mm pilot tube shear-off	10	10	0.972.041	Plug for the pilot outlet (M10x1 with O-ring)	10
6c	0.958.032	ø 1/4" pilot tube shear-off	10	11	0.999.992	Adjusting flow tool	10

Distributor: CALOR SRL  
 Str. Progresului nr. 30-40, sector 5, Bucuresti  
 tel: 021.411.44.44, fax: 021.411.36.14  
 www.calorserv.ro - www.calor.ro